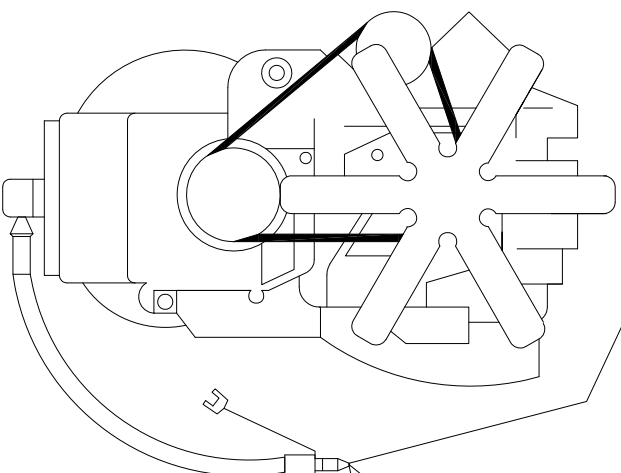
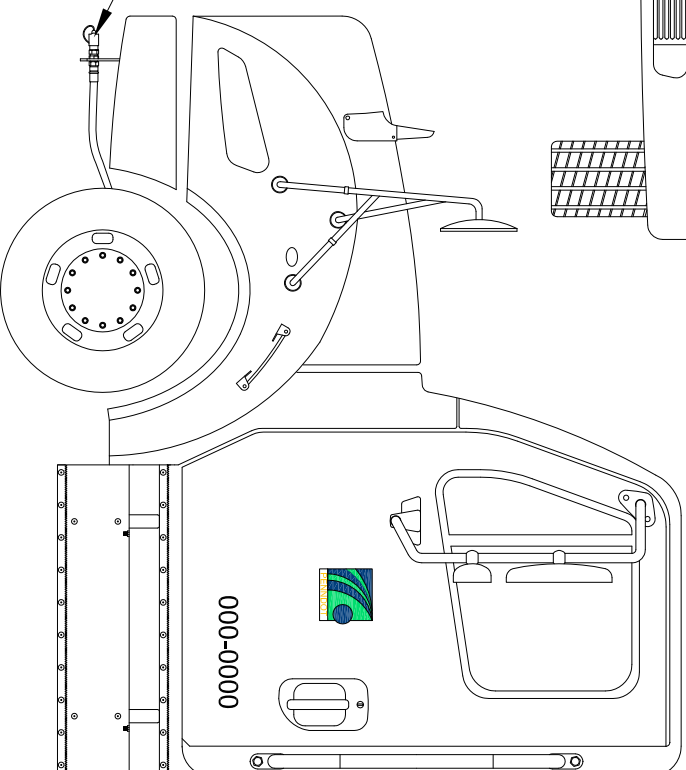
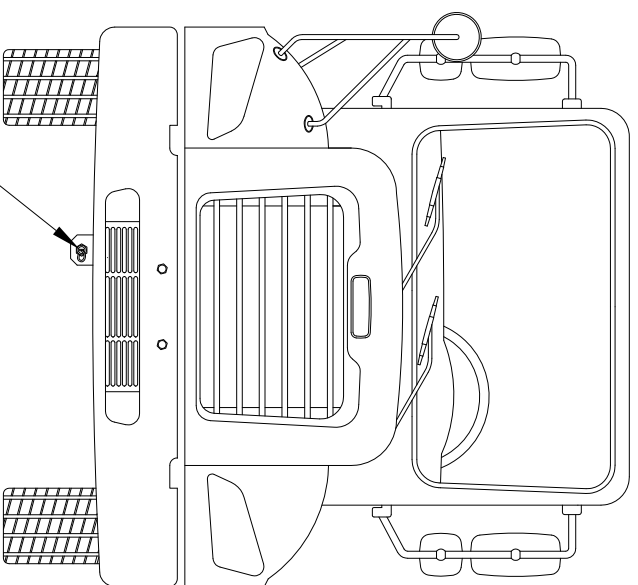
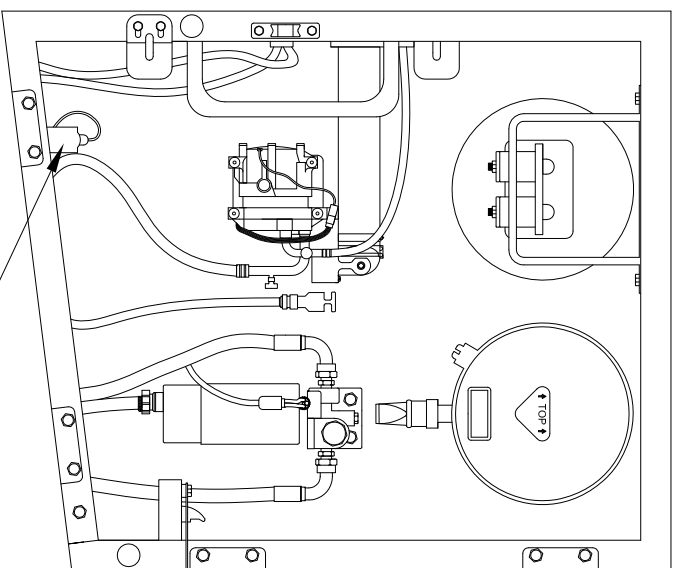


NOTE:  
 MINIMUM 0.25" THICK STEEL.  
 CARRIER TO BE SIZED  
 ACCORDING TO APPLICABLE  
 ROLLER.

REVISIONS			TAILGATE CARRIER WALK BEHIND ROLLER		
NO.	DATE	BY	DRAWN BY	SCALE	EQN-#
1	4-13-07	KNH	DJA	N/A	206
2					
3					

PA DEPARTMENT OF TRANSPORTATION

DATE 07/01/98      CHKD BY WHM      SHEET 1 OF 1



DISCONNECT  
COUPLING  
FLOCS  
ENGINE KIT

**PA DEPARTMENT OF TRANSPORTATION**

**REVISIONS**

NO.	DATE	BY	SCALE
1	07-01-03	BLD	N/A
2	10-20-06	CJW	N/A
3	06-19-13	JFM	N/A

**FAST LUBE OIL CHANGE SYSTEM  
OVERVIEW AND PARTS LIST**

NO.	DATE	BY	SCALE
1	07-01-03	BLD	N/A
2	10-20-06	CJW	N/A
3	06-19-13	JFM	N/A

000-0000



1. CONTACT AEROQUIP WITH YOUR DRAIN PAN PLUG SIZE
2. AEROQUIP DEALER TELEPHONE NUMBERS:

ADVANCED FLUID CONNECTORS..... 717-757-1068  
 AIR BRAKE & POWER EQUIPMENT CO.. 717-622-6188  
 AMERICAN BEARING & POWER..... 717-569-3291  
 GOODALL RUBBER COMPANY ..... 610-534-2100  
 POWER DRIVES INC..... 814-833-8181  
 R L MILLER INC..... 412-833-6800  
 R L MILLER INC..... 814-456-8900  
 SRG/BEVCO..... 610-358-3100  
 VOTO MANUFACTURERS SALES CO.... 814-226-7101

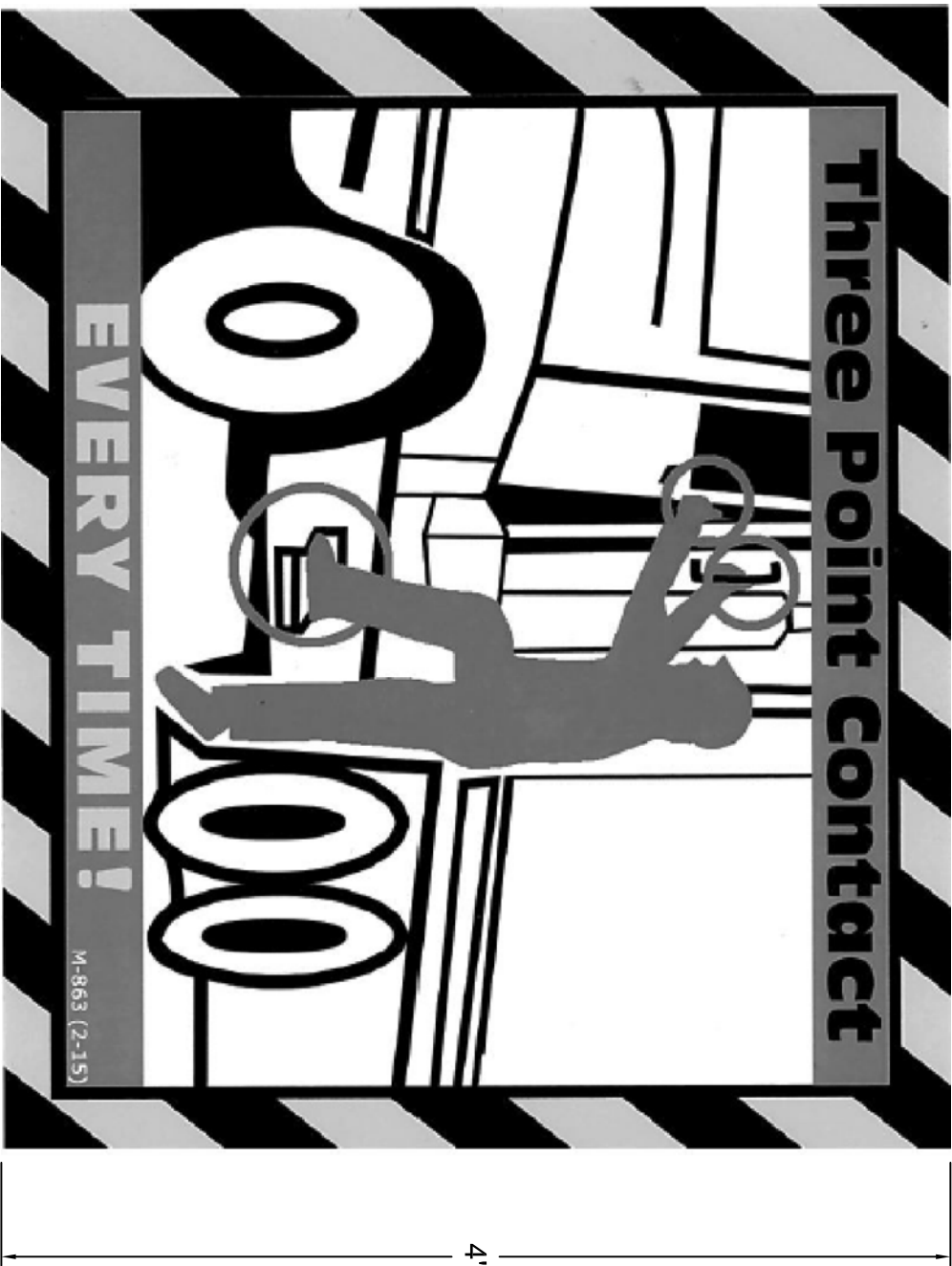
FLOCS SHALL INCLUDE, BUT NOT LIMITED TO:

- A. DUST CAP 5657-12
- B. HOSE TO SUIT LENGTH
- C. HOSE FITTING TO SUIT
- D. ADAPTER TO SUIT
- E. HOSE CLAMP #900729-6
- F. BRACKET TO SUIT
- G. COUPLING 5602-12-12S

PA DEPARTMENT OF TRANSPORTATION

REVISIONS		FAST LUBE OIL CHANGE SYSTEM OVERVIEW AND PARTS LIST	
NO	DATE	BY	
1	07-01-03	BLD	
2	10-20-06	CJW	
3	06-19-13	JFM	

DRAWN BY	DLW	SCALE	N/A	EQN-351A
CHK'D BY		DATE	08-22-97	WHM SHEET 2 OF 2



THERE SHALL BE A PERMANENT DECAL AFFIXED ON EACH DOOR. THE SAME PERMANENT DECAL SHALL BE AFFIXED BY EACH BODY LADDER. MEASUREMENTS OF DECAL ARE REFERENCED ABOVE.

**PA DEPARTMENT OF TRANSPORTATION**

REVISIONS			THREE POINTS OF CONTACT STICKER		
NO.	DATE	BY	DRAWN BY	SCALE	EQN-552-1
1	12-20-16	JJB	GAW	N/A	
2					
3					

M-863 (2-15)